

## 1080p HD Output 60 FPS Camera

NEW

### Sentech HD 1080p Camera

**STC-HD203DV** 【Cased】

**STC-HD203SDI** 【Board】

The Sentech STC-HD203 Series features a 1/2.8" CMOS Sensor that outputs at Full HD 1080p with a True 16:9 Aspect Ratio. The Series is available with DVI via HDMI or 3G-SDI via BNC connector direct to monitor connection. The STC-HD203 has excellent image quality due to high Low Light Sensitivity and a Wide Dynamic Range.



#### Features

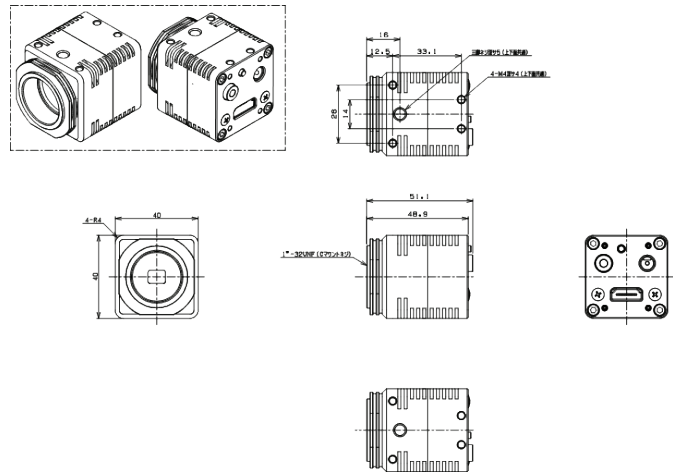
- 1920 (H) x 1080 (V)
- 60 FPS
- Wide Dynamic Range
- Excellent Low Light Sensitivity
- DVI or 3G-SDI Output
- HD 1080p
- C Mount
- 40 x 40 x 51.1 mm

## Specifications

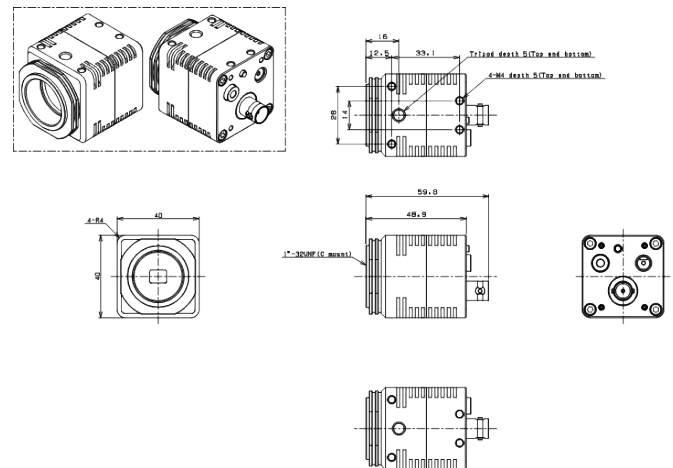
Model Numbers	: STC-HD203DV (Cased) STC-HD203SDI (Board)
Image Sensor	: 1/2.8" 2.3 MP CMOS Sensor (IMX136) Rolling Shutter
HD Active Picture	: 1920 (H) x 1080 (V)
Elements	
Optical Size	: 5.44 (H) x 3.09 (V) mm
Cell Size	: 2.8 (H) x 2.8 (V) $\mu\text{m}$
Scanning System	: Progressive
Min. Scene	: 0.6 Lux (AGC ON) @F1.2
Video Output	
- DVI Model	: DVI 1.0 conformity
- SDI Model	: 3G-SDI(SMPTE424M Compliant),
ALC	: Configured via UART communication with auto electronic shutter and AGC
Shutter Speed	: Adjustable shutter speed via UART communication (AEE)
- Extended	: Extend shutter frame unit (Up to 2.55 sec)
- High Speed	: Up to 1/10,000 seconds
Gain	: 0 to 45 dB
Gamma	: 5 Presets (Manual / 0.45 / 0.6 / 0.8 / 1)
White Balance	: Auto / Manual / Push to Set White Balance
WDR	: Wide Dynamic Range OFF / ON
Mirror Image	: Normal / Horizontal Flip / Vertical Flip / 180 Degree Rotation
Picture Modes	: 8 User Presets, Normal Picture Mode or Pseudo Color Mode
Line Generator	: Horizontal & Vertical Lines with all available Colors
Shadow Mask	: Horizontal & Vertical Lines
Generator	
Freeze Image	: Selectable Live Image or freeze image
Communication	: +3.3V UART Communication via 3.5 $\Phi$ Stereo Jack (Baud Rate: 38,400 bps, 19,200 bps, 9,600 bps)
Character Generator	: Built-in character generation function
Pixel Blemish	: Supported
Collection	
Power	:
- Input Voltage	: +9 to +15 Vdc (Typical +12 Vdc)
- Consumption	: Approx . 4.4W
Dimensions	: 40 (W) x 40 (H) x 51.1 (D) mm (Excluding Connector)
Optical Filter	: IR Cut Filter with OPLF
Material	: Aluminum
Lens Mount	: C Mount
Interface Connector	:
- Video Output	: DVI Output: HDMI Connector, SDI Output: BNC Connector
- Power Input	: +9 to +15 Vdc (Typical +12 Vdc)
- External Control	: 3.5 $\Phi$ Stereo Jack with SW Board
- Communication	: 3.5 $\Phi$ Stereo Jack
Weight	: DVI: Approx. 116g, SDI: Approx. 136g
Operational Temp.	: 0 - 40° C
Storage Temp.	: -30 - 65° C
Compliance	: RoHS Compliant, EMS: EN610000-6-2, EMI: EN55022 (Class B)

## Dimensions

### DVI



### SDI



※Specifications are subject to change without notice.