

# Wall Mounted Model Installation Instructions

***SEILER IQ***



**SEILER**  
PRECISION MICROSCOPES



- 1) Determine suitable location: Wall next to doctor, wall behind doctor, etc. at a distance no greater than 60" and no less than 36" from the wall to the patients mouth.
- 2) Position the wall bracket with the threaded opening facing down and with the lower mounting holes 45" above the floor. Fasten the wall bracket to the wall making sure the wall construction is wood stud (16" on center ) or cinder block. All other constructions require wall bracing - contact your building maintenance department or an outside contractor in this case.

After the wall bracket is securely attached to the wall, carefully thread the bearing and microscope holder assembly into the bottom opening of the bracket until it is hand tight.

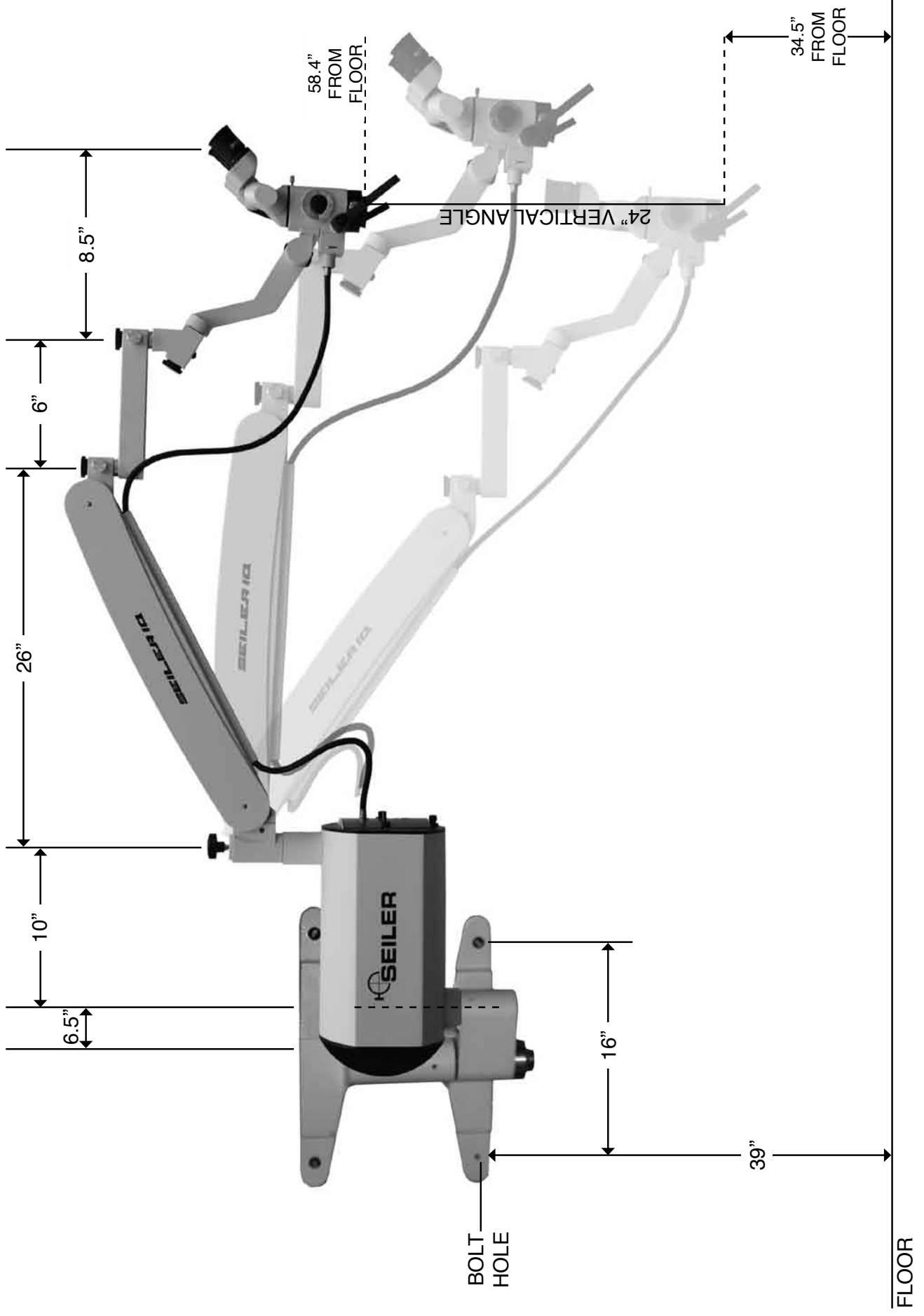


The wall mount assembly is now ready to receive the Revelation power supply housing.



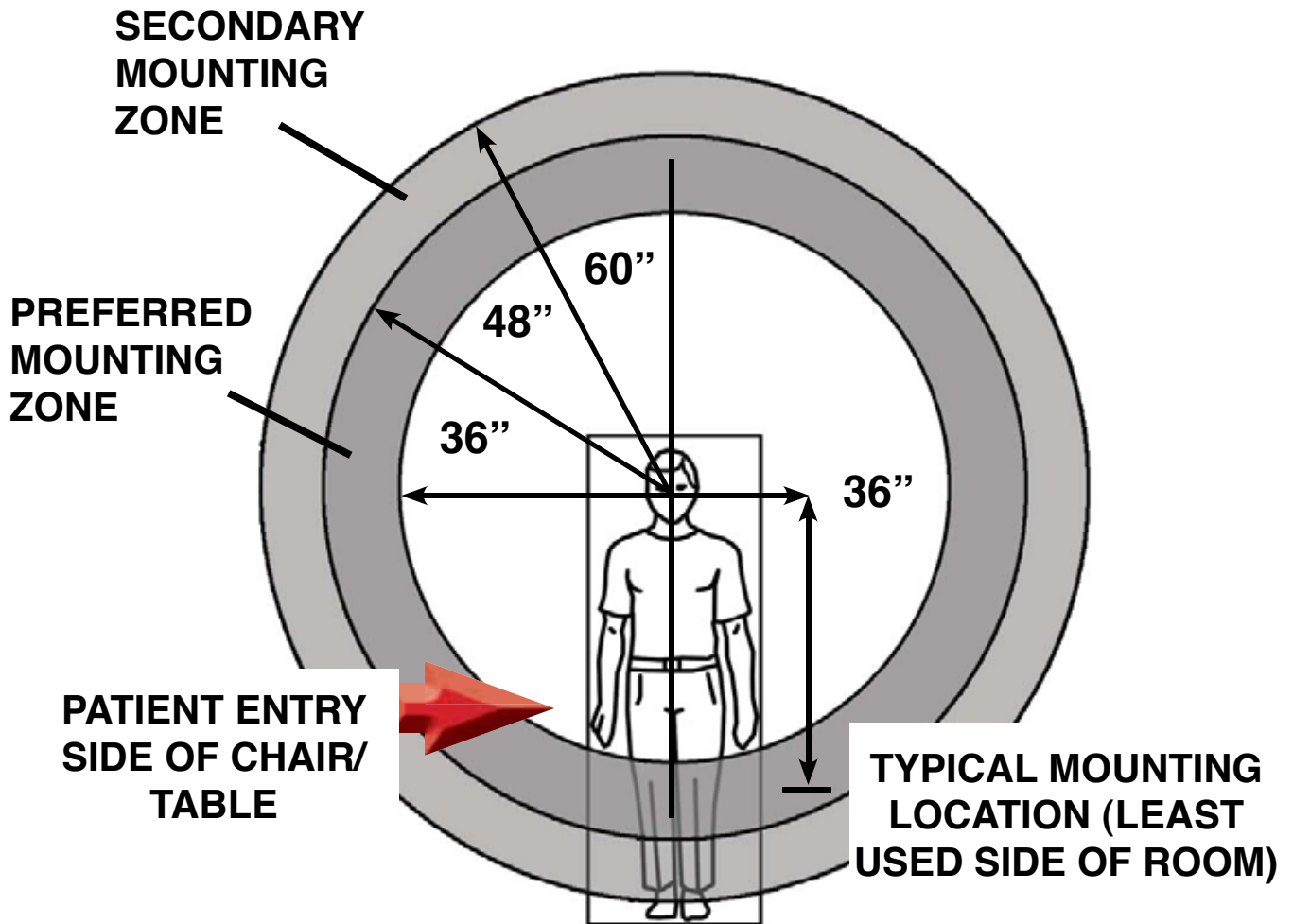
Please see diagram on following page for additional information on set-up configuration.

**SEILER**  
Wall Mount



## Positioning

# High Wall and Ceiling Recommended Mounting Location



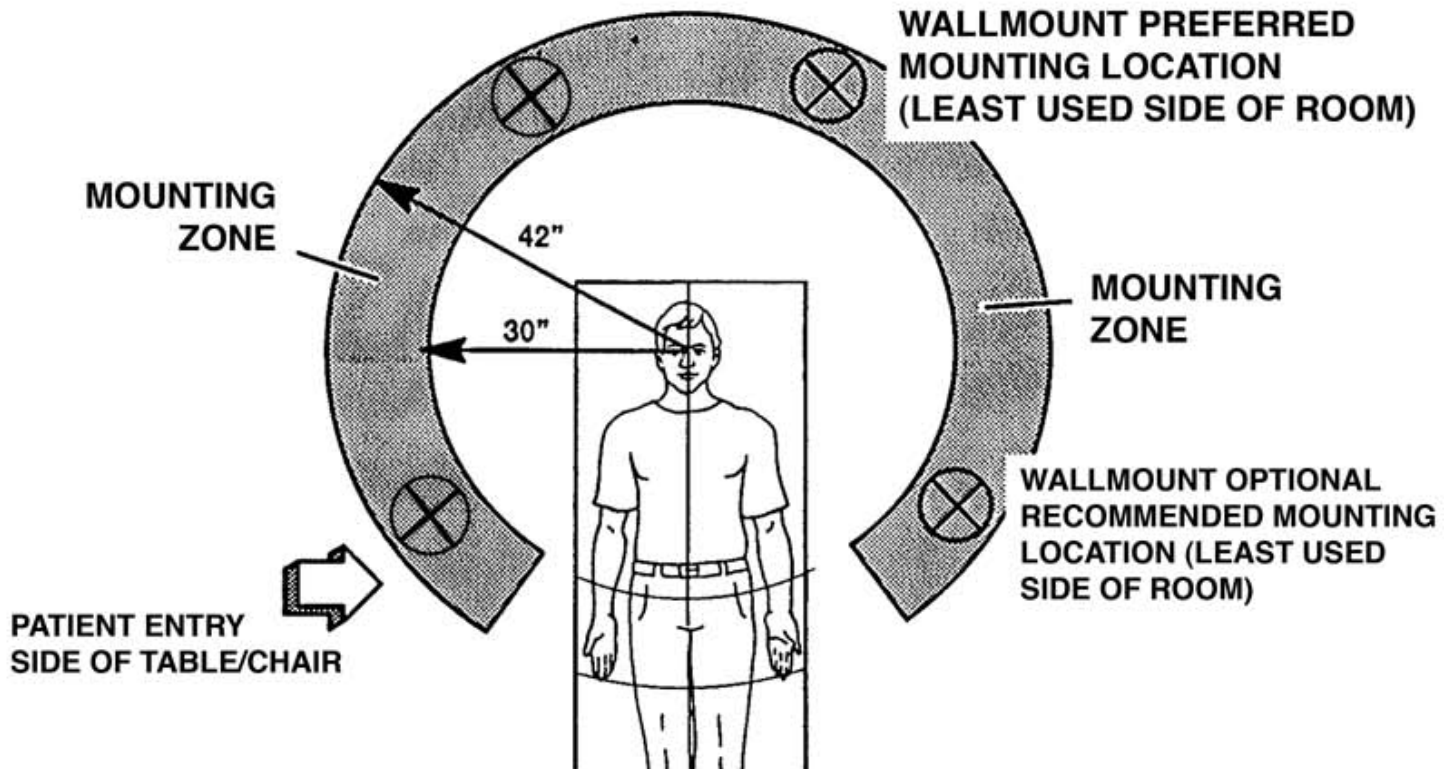
### NOTE:

If the typical position is not available, locating the microscope within the Preferred Mounting Zone (vertically shaded) will ensure that there is maximum maneuverability of the microscope in all directions. Locating the microscope within the Secondary Mounting Zone (diagonally shaded) is possible, depending upon the specific layout of a room, but may reduce maneuverability.

Right Handed

# WALL MOUNT

Left Handed



**NOTE:**



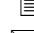
If either of the two recommended locations is not available, locating the wall mount within the shaded mounting zone will ensure that there is maximum maneuverability of the microscope in all directions.

Right handed dentists typically should mount the microscope on their right side. This allows for better four-handed dentistry with their assistant. The same theory applies to left hand dentists.

# Personnel

We are here to serve you!

If you have any questions regarding Seiler's products or services, please feel free to contact us.

 : 800.489.2282  
 : 314.968.2282  
 : 314.968.3601  
 : [micro@seilerinst.com](mailto:micro@seilerinst.com)  
 : [www.seilerinst.com](http://www.seilerinst.com)

- Division Manager  
Dane Carlson  
ext. 365 • [dcarlson@seilerinst.com](mailto:dcarlson@seilerinst.com)
- Corporate Accounts/Marketing  
Nicholas Toal  
ext. 345 • [ntoal@seilerinst.com](mailto:ntoal@seilerinst.com)
- Technical Product Information  
Tony Leise  
ext. 363 • [tleise@seilerinst.com](mailto:tleise@seilerinst.com)
- Literature  
Beverly Brown  
ext. 322 • [bbrown@seilerinst.com](mailto:bbrown@seilerinst.com)
- Accounts/Tracking/Bulbs  
Sandy Jeremich  
ext. 336 • [sjeremich@seilerinst.com](mailto:sjeremich@seilerinst.com)

